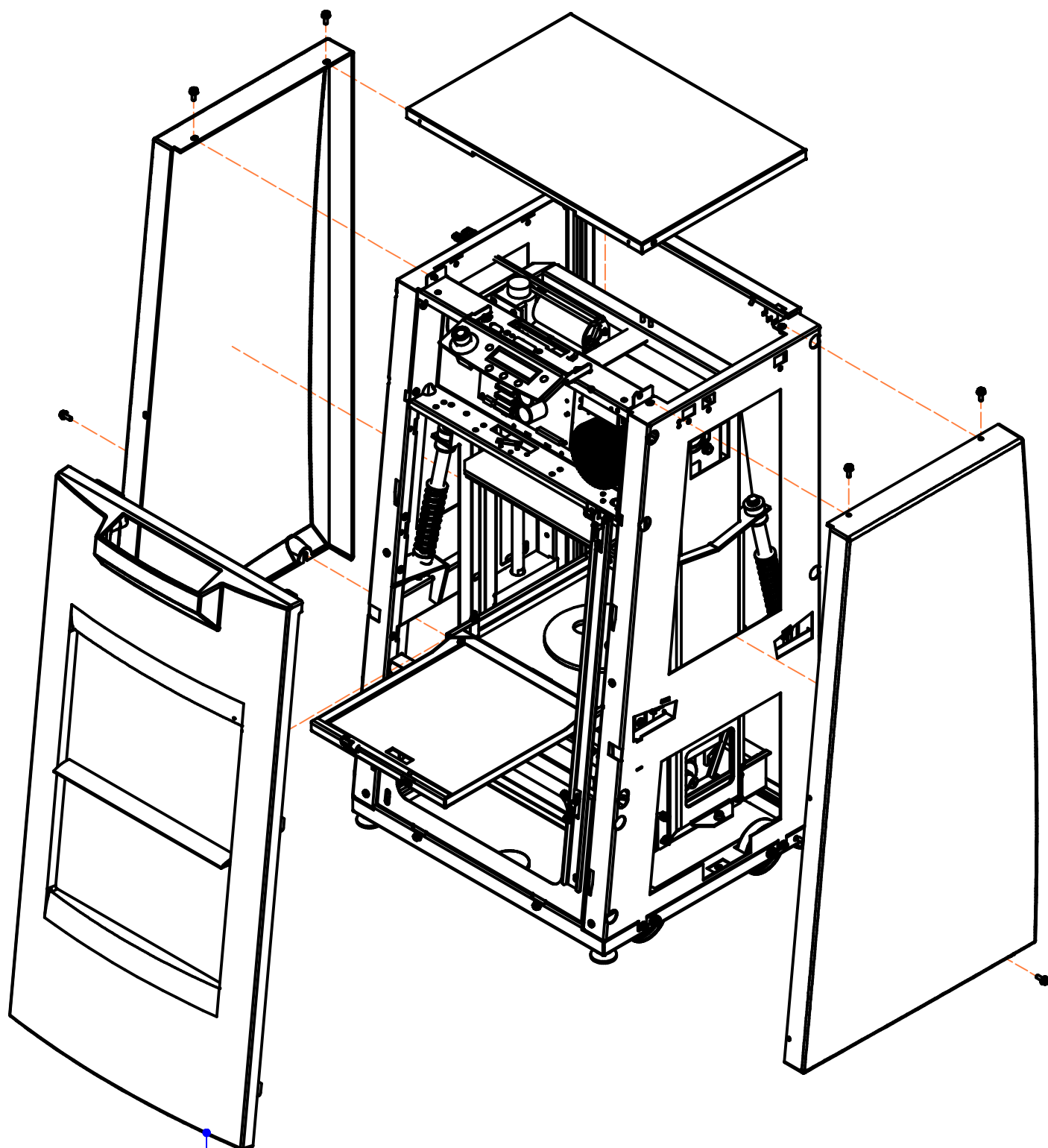




# **SK450**

## **Sparepartsbook**

# 4500

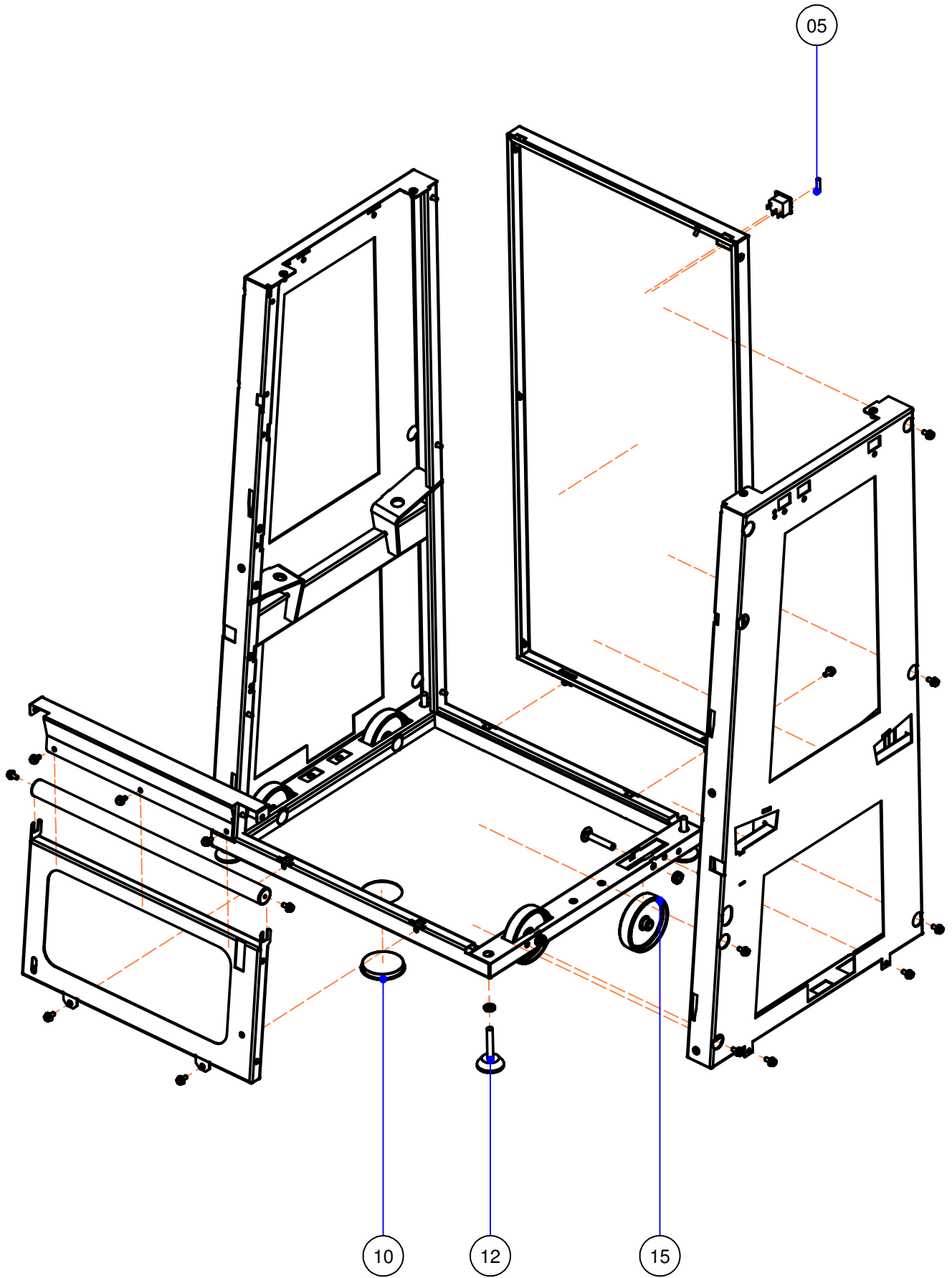


04

## Sparepart List

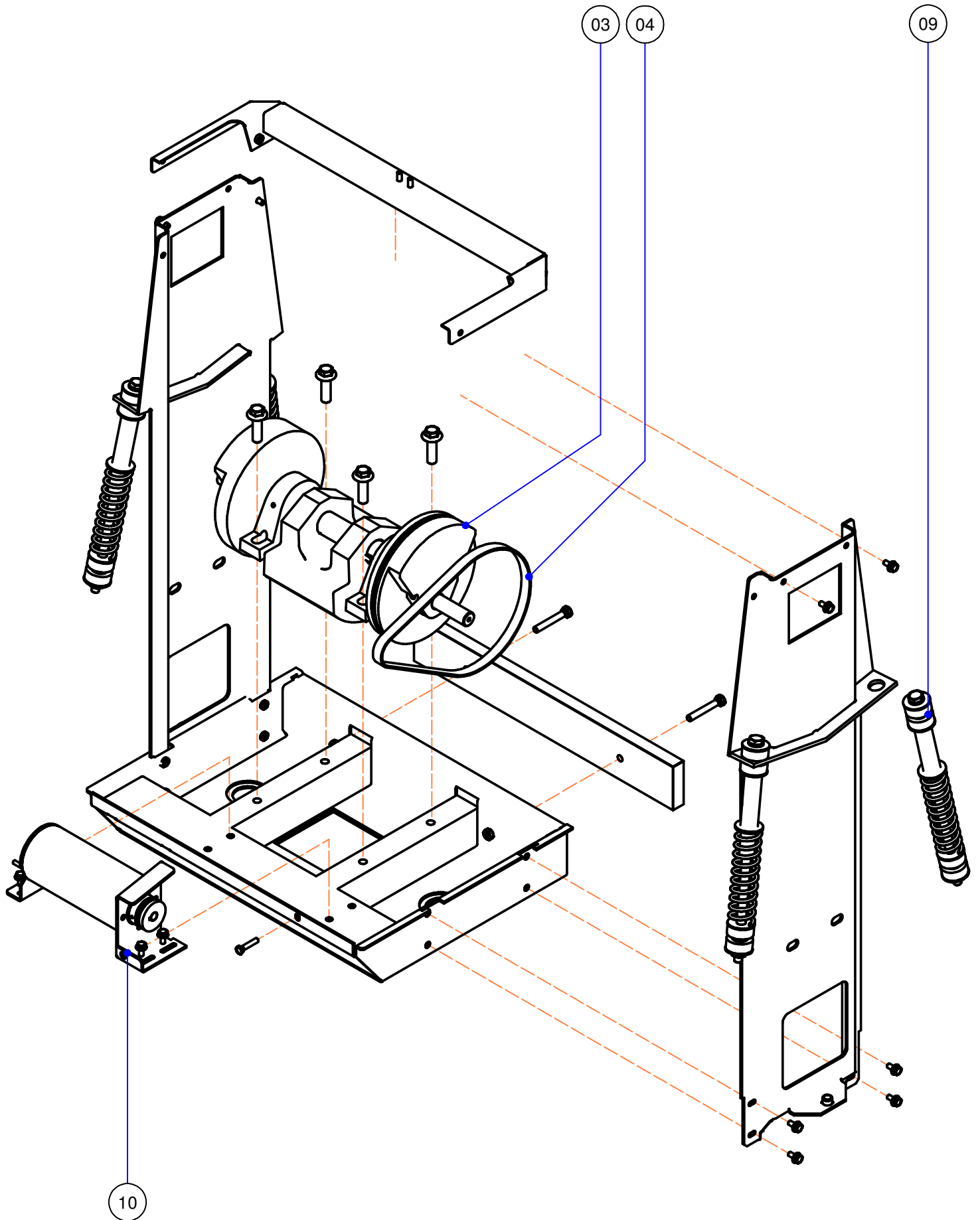
ITEM	PARTNUMBER	DESCRIPTION	REMARKS	QTY
04	1862496-SP	S0/SK,door,assy,manual		1
04	1862497-SP	SO/SK,door,assy,automatic		1

4510



Spareparts List				
ITEM	PARTNUMBER	DESCRIPTION	REMARKS	QTY
05	1602782-SP	Fuse,10A,set,10pcs		1
10	1110430-SP	Cap,white,f70mm,10pcs.		1
12	1862594-SP	Foot,plastic,M10x60(set 4 pcs)		4
15	1860277-SP	Wheel,nylon+bolt's&nut's,4pcs		4

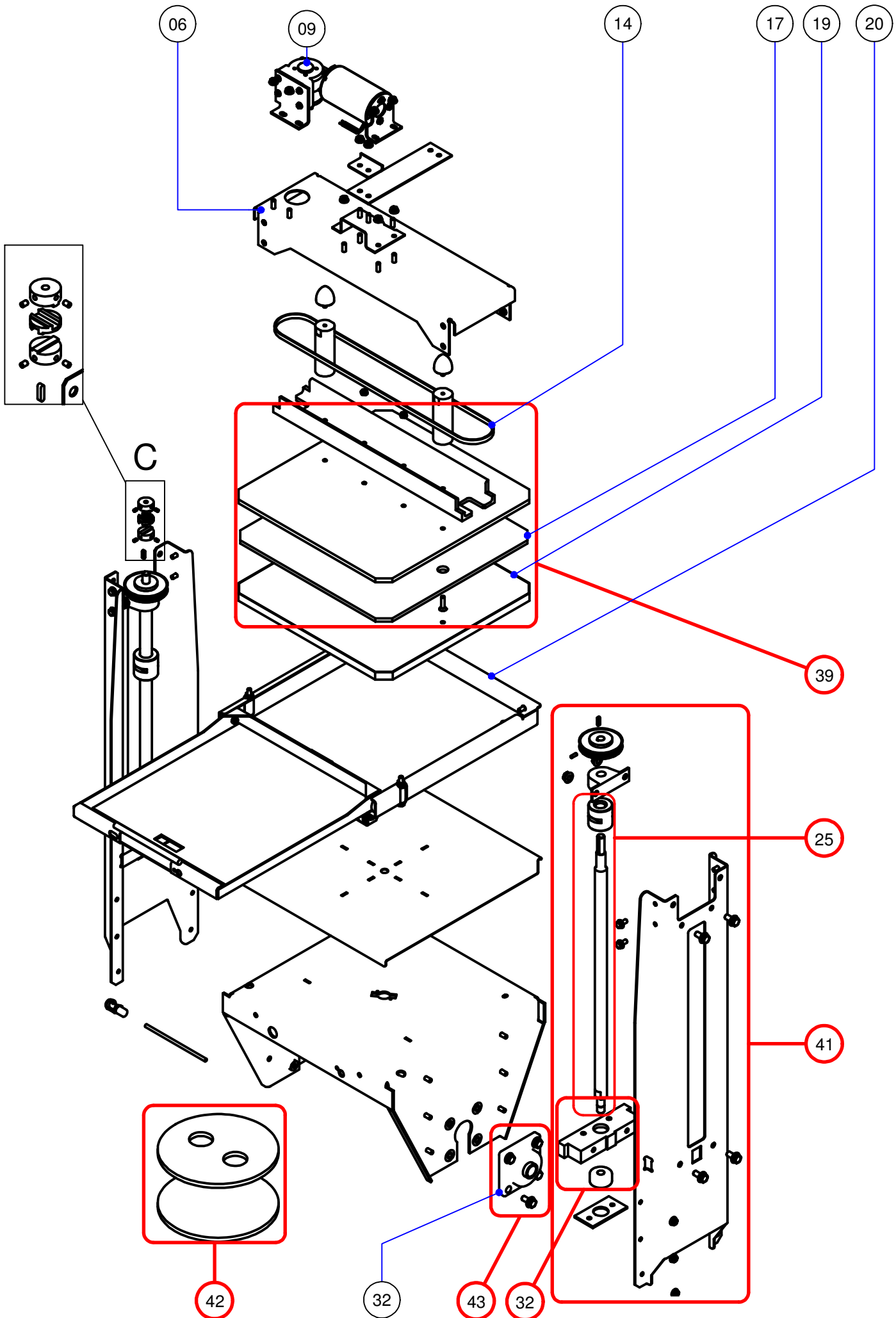
# 4515



## Spareparts List

ITEM	PARTNUMBER	DESCRIPTION	REMARKS	QTY
03	1809465-SP	Crank,assy,SO/SK	Page 4525	1
04	1862172-SP	V-belt,SO/SK,micro-V 4PJ711		1
09	1864139-SP	Super-strut-assy,SK350/450/550	Page 4550	4
10	1810665-SP	Shaker,motor,assy,SO/SK		1
13	1850261-SP	NutM8,nyloc,hex,din985,set10pc		2

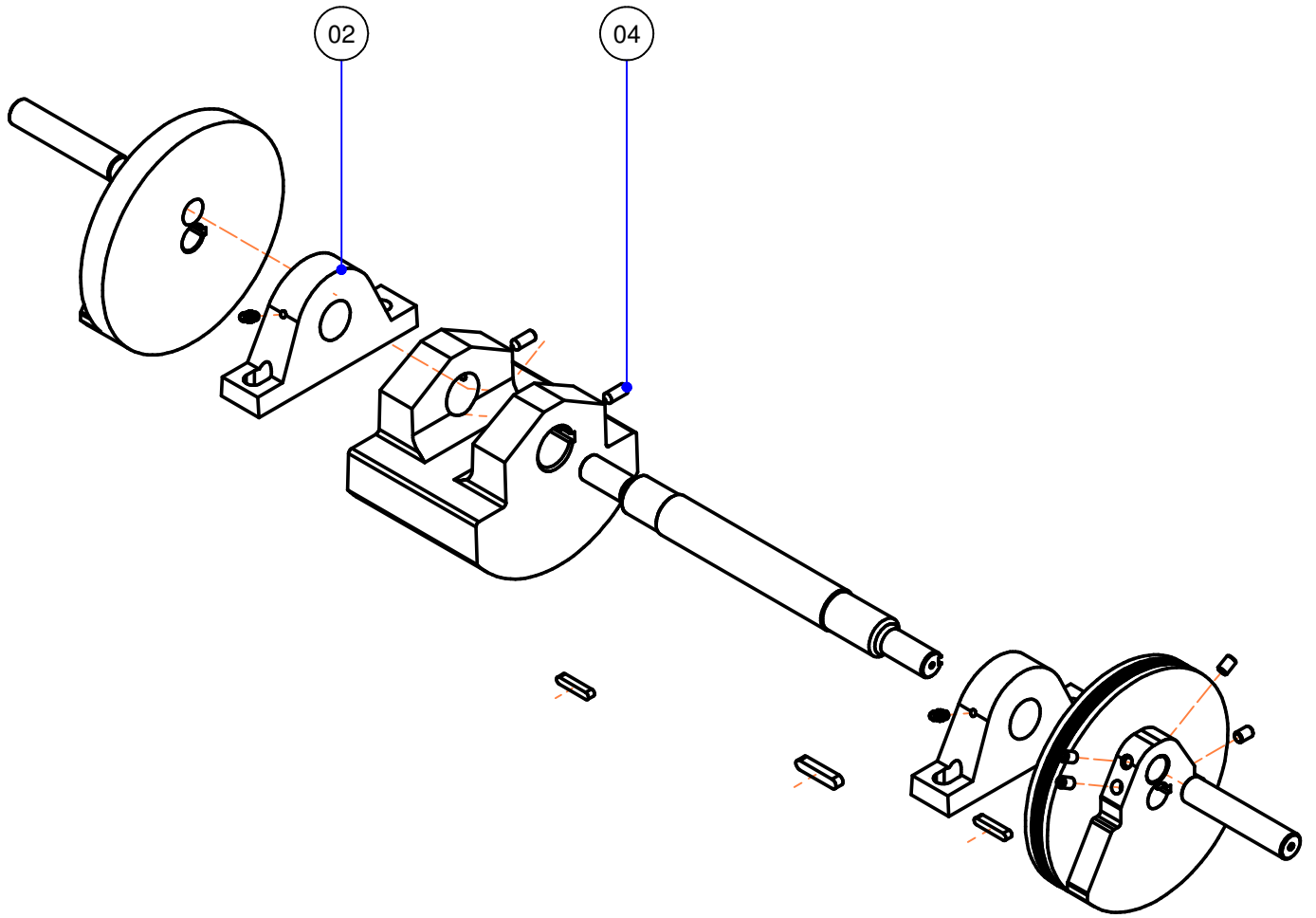
# 4520





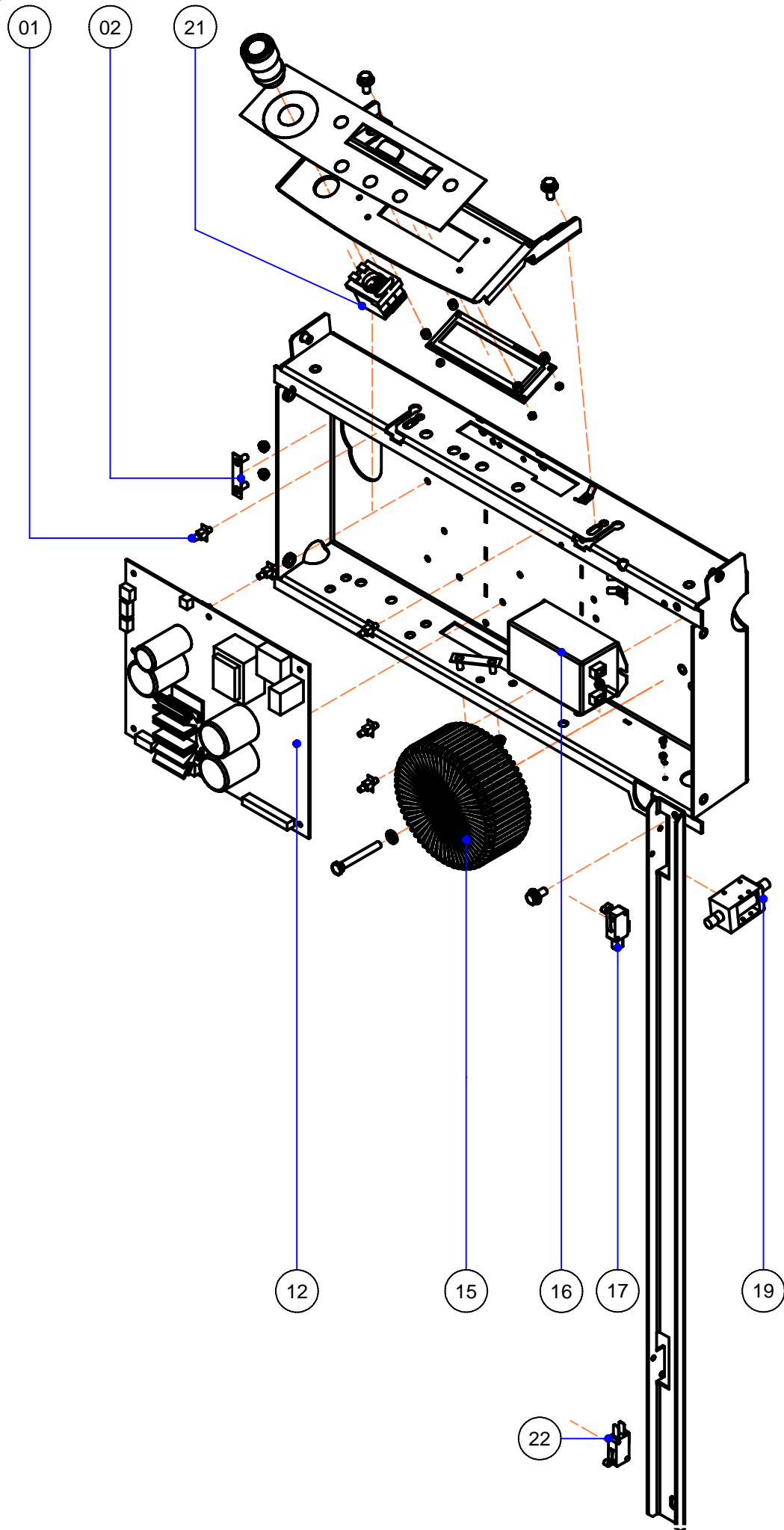
Parts List				
ITEM	PARTNUMBER	DESCRIPTION	REMARKS	QTY
06	1810315-SP	Plate,motor,clamp,SO/SK		1
09	1864590-SP	Upgrade,motor,clamp,SO/SK		1
09	1863404-SP	Cable,encoder,clampmotor,SO/SK		1
09	1863492-SP	Encoder,motor,clamp,SO/SK		1
14	1862173-SP	V-belt,clamp,SO/SK		1
17	1809832-SP	rubber,topplate,SO/SK	Up to 14/05/09	1
19	1815253-SP	Top plate with rubber	From 15/05/09	1
26	1809679-SP	Spindle+nut,So-400 (2pcs)		2
32	1602121-SP	Bearing,UCF 204 D1		2
33	1809654-SP	Bearing,set,2pcs,S0/Sk		2
39	1862731-SP	Clampplate,w,rubber,SO/SK	Up to 14/05/09	1
41	1862506-SP	Spindle,assy,SO/SK (2pcs)		1
42	1862491-SP	Shaker pull out tray		1
42	510902-SP	Disc,foam,set(f170mm)		1
43	1862580-SP	Bearing,UCF+bolt's,set2pcs.		1

4525



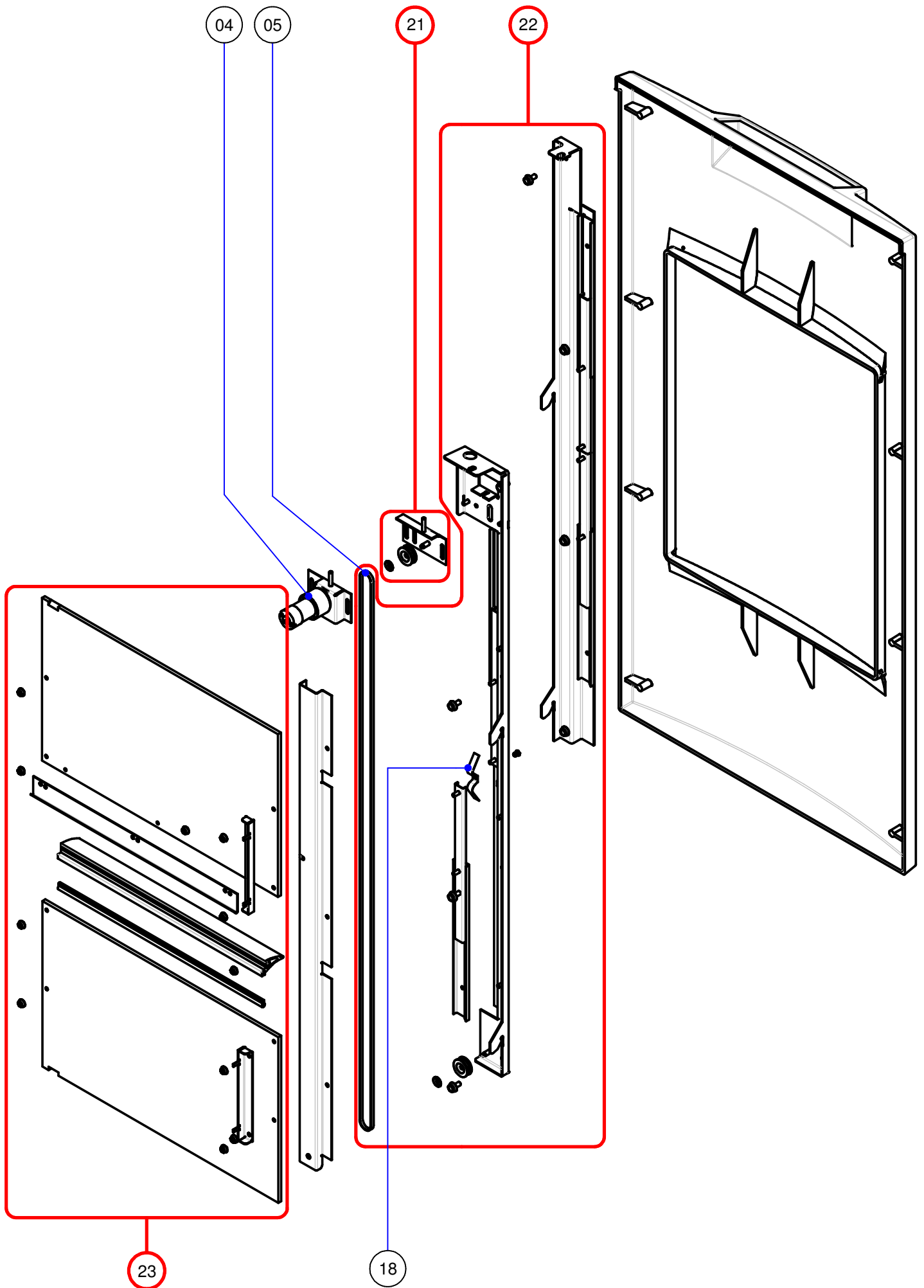
Spareparts List				
ITEM	PARTNUMBER	DESCRIPTION	REMARKS	QTY
02	1602557-SP	Bearing,PASEY30,set,2pcs		2
04	1850252-SP	Screw.M8x20.DIN916 set 25 pcs		2

# 4530

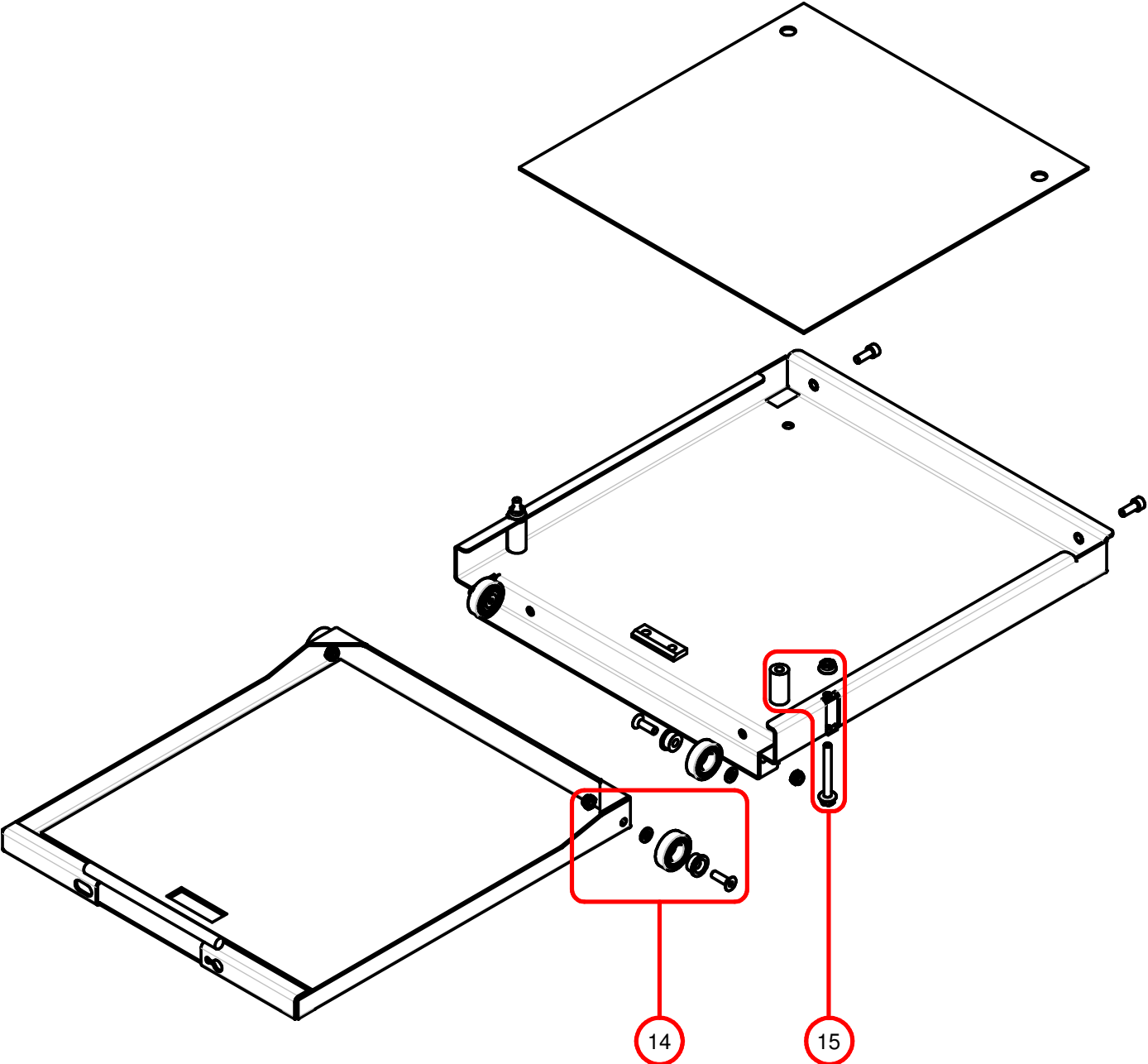


Spareparts List				
ITEM	PARTNUMBER	DESCRIPTION	REMARKS	QTY
02	1810661-SP	Earth,clap,with nut's,So-400		2
08	1810299-SP	Display,keyboard,assy,So-400		1
12	1864250-SP	Powerboard SK450		1
15	1810652-SP	Trafo,powerunit,S0/SK		1
16	1862546-SP	filter,SO/SK,6A		1
17	1160200-SP	Switch,micro,V-166-105(R)		1
19	1860672-SP	Solenoid>manual punch,SO/HA		1
21	1862403-SP	Switch,on/off,SO/SK		1
	1863760-SP	Fuse,SIBA-ELU,32mA,Slow,10pcs		1
22	1862616-SP	Switch,micro,v-165-1c5		1

# 4535



Parts List				
ITEM	PARTNUMBER	DESCRIPTION	REMARKS	QTY
04	1862810-SP	motor,door,assy,SO/SK	Page 4545	1
05	1810429-SP	Belt,door,SO/SK		1
18	1811350-SP	spring,leaf,door,SO/SK		1
21	1810424-SP	Bracket,manual,assy,SO/SK		1
22	1809990-SP	Guiding,door,set,S0/SK		1
23	1809790-SP	Door>window,assy,S0/SK		1





## Spareparts List

ITEM	PARTNUMBER	DESCRIPTION	REMARKS	QTY
14	1862431-SP	Bearing,slide table,set2pcs		4
15	1810721-SP	Bush,wheel,set4pcs,SO/SK		4



Spareparts List				
ITEM	PARTNUMBER	DESCRIPTION	REMARKS	QTY
11	1864025-SP	Strut,spacer&grommet,kit(4pcs)		4